

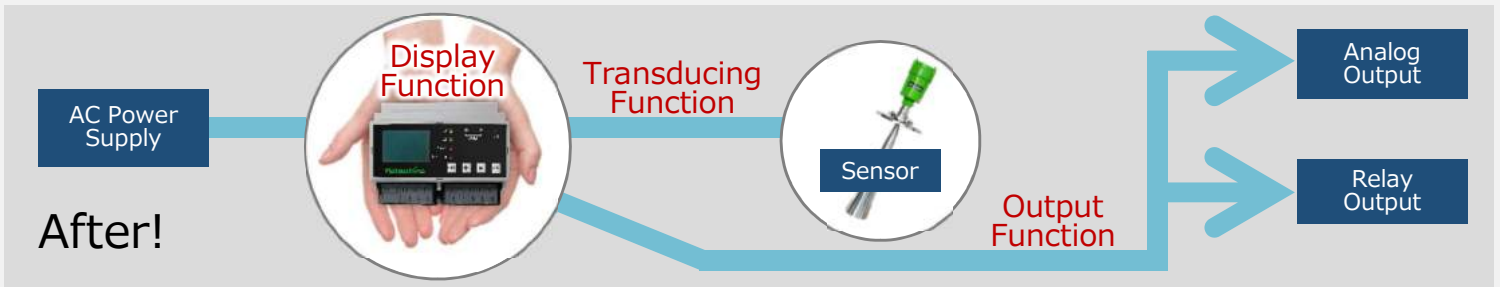
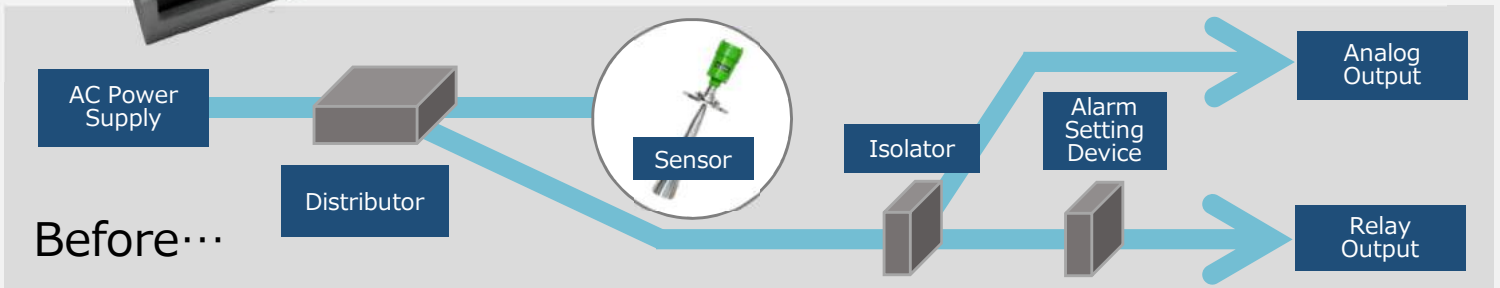
All in One Device! Signal Conditioner



Analog Output
DC4~20mA DC1~5V

Relay Output
4 Contacts

(Limit×2, Transducer failure×1, Sensor failure×1)



Various Use

- Distributor for 2-wire transmitting device
- For alarm setting device
- For digital indicator

Features

- Measuring values can be confirmed at the local control panel with LCD digital display.
- Contact outputs are equipped as a standard feature, so there is no need to prepare additional transducer.
- Equipped with fault alarm outputs as a standard feature. Abnormalities of the sensor can be detected quickly. (When the current signal of the connected equipment can be burned out)
- Language: Japanese & English.
- Because terminal block can be detached, it is no longer to disconnect with each wiring for replacement.

Can be used for various devices

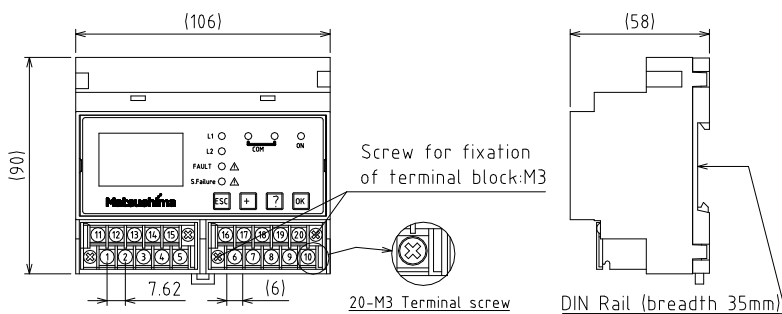


Specification

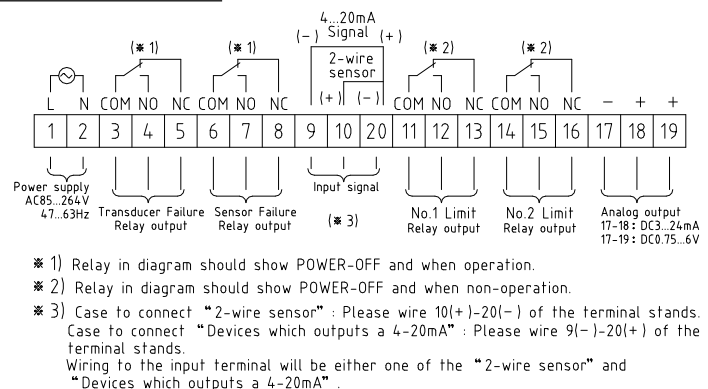
1. Type		MSC-01
2. Power Supply		AC85~264V,47~63Hz
3. Power Consumption		Approx.3W
4. Input Signal (※1)		DC4~20mA (Input resistance:250Ω) Current limited : DC24mA
5. Power supply for sensor	Output Voltage (No load)	DC24V(DC20~28V)
	Load of 20mA	≥DC18V
	Short circuit protection	Max.DC30mA (Protected time duration: No limit)
6. Output Signal	Analog output	DC4~20mA×1 (Load : max.750Ω)
		DC1~5V×1 (Load : max.500Ω)
		Resolution : 1uA (0.25mV)
	Relay output	4-SPDT (Limit×2,Transducer failure×1,Sensor failure×1) (※2)
		Rating : AC250V 5A/DC30V 5A Minimum hysteresis of setting : 0.1%
	Display	LCD
LED		Power (green) ×1 , Limit (Yellow) ×2 FAULT (Red) ×1 , Sensor failure (red) ×1
7. Installation		DIN rail
8. Connection		M3-Screw terminals (Tightening torque : 0.5N·m)
9. Operating temperature		-15~+55℃
10. Operating humidity		30~90%RH (no condensation)
11. Protection		IP20
12. Mass		Approx.300g
13. Insulation resistance		Between the Input, the Output and Power : ≥100MΩ/DC500V
14. Withstand		Input, Output or between Power and Earth : AC1500V 1min.

(※1) Connect with either "2-wire sensor" or "current output device".
(※2) The sensor failure is useful when the connection equipment can burn out a current signal in case of abnormality.

Dimension



Connection Diagram



All Rights Reserved Copyright © 2017 Matsushima Measure Tech Co.,Ltd.

Distributor



Matsushima Measure Tech Co., Ltd.

HEAD SALES OFFICE / FACTORY

1-8-18 Norimatsu-higashi, Yahatanishi-ku, Kitakyushu, 807-0837, Japan
 Tel: +81-(0)93-691-3731 Fax: +81-(0)93-691-3735

POHANG REPRESENTATIVE OFFICE

Odyssey Bldg. 1F, 41, Jukdo-ro 28beon-gil, Buk-Gu, Pohang-Si, Gyeongbuk, 37744, Korea
 Tel: +82-(0)54-274-3731 Fax: +82-(0)54-274-3731

Affiliated Company

SHANGHAI DAHONG MATSUSHIMA MACHINERY CO., LTD.

70 Hengchang Road, Dahongcun, Maluzhen, Jiadingqu, Shanghai 201801, China
 Tel: +86-(0)21-59514138 Fax: +86-(0)21-59514139